

	NAME	COMPATIBLE WASHLET			
		S400	S300	E200	C100
ONE-PIECE TOILETS	CAROLINA®		●	●	●
	CARLYLE®	●	●	●	●
	DORIAN™			●	
	GUINEVERE™		●	●	●
	LLOYD®		●	●	●
	PACIFICA®		●	●	●
	PLYMOUTH™		●	●	●
	SOIRÉE®		●	●	●
	SUPREME® (elongated)		●	●	●
	SUPREME (round front)		★	★	★
	ULTIMATE® (elongated)	●	●	●	●
	ULTIMATE (round front)	★	★	★	★
	ULTRAMAX® (elongated)	●	●	●	●
	ULTRAMAX (round front)	★	★	★	★
	TWO-PIECE TOILETS	AQUIA™*	●	●	●
CARROLLTON®			●	●	●
CARUSOE® (elongated)			●	●	●
CARUSOE (round front)			★	★	★
CLAYTON®			●	●	●
DALTON™ (elongated)			●	●	●
DALTON (round front)			★	★	★
DARTMOUTH®		●	●	●	●
DRAKE® (ADA)		●	●	●	●
DRAKE (elongated)		●	●	●	●
DRAKE (round front)		★	★	★	★
MERCER®		●	●	●	●
NEXUS®		●	●	●	●
PACIFICA®**			●	●	●
PROMENADE® (elongated)			●	●	●
PROMENADE (round front)			★	★	★
VESPIN®		●	●	●	●
WHITNEY®			●	●	●

\* THU9090 Adapter Kit Required

\*\*THU9090 Adapter Kit Recommended

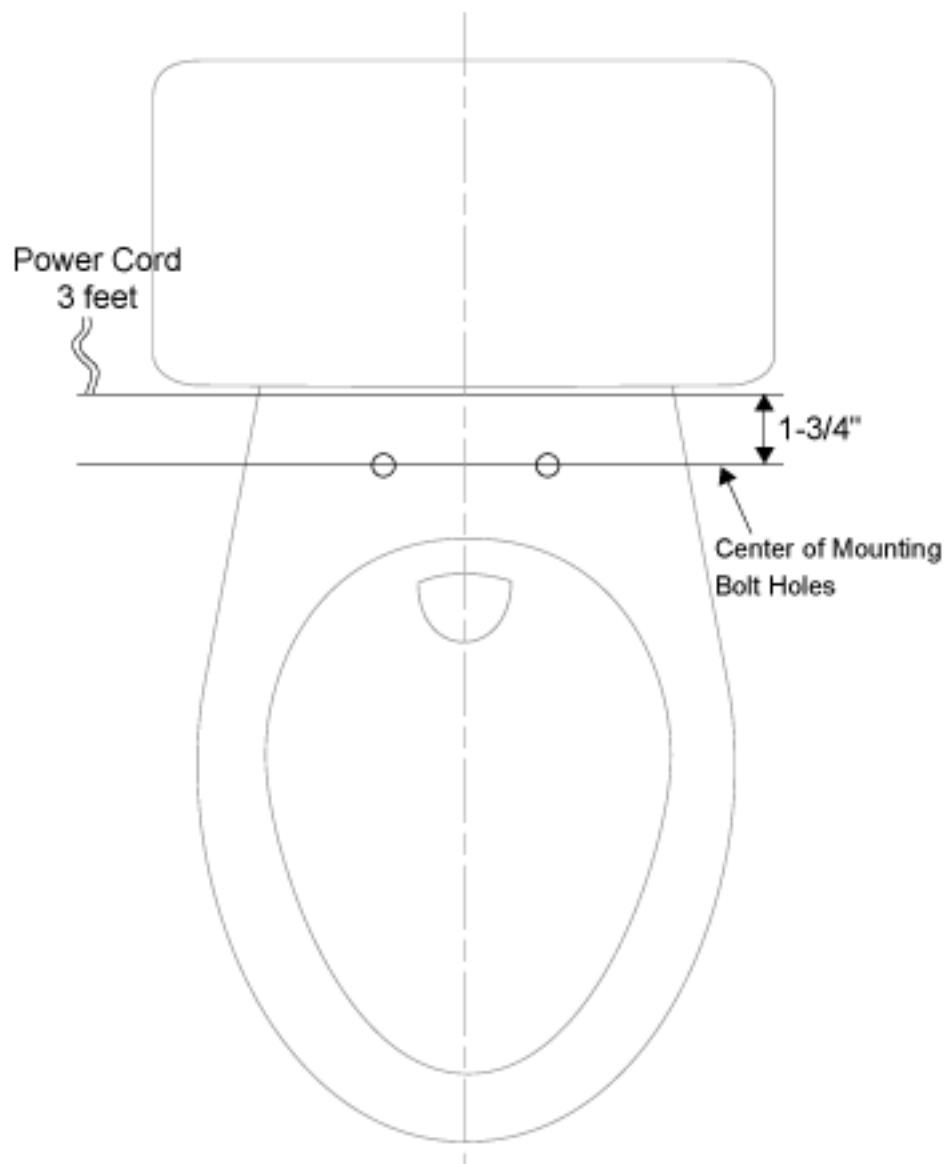
● SW564 elongated    ● SW834R elongated    ● SW844 elongated    ● SW824 elongated  
 ★ SW563 round    ★ SW833R round    ★ SW843 round    ★ SW823 round



## Washlet S300 Fit Chart

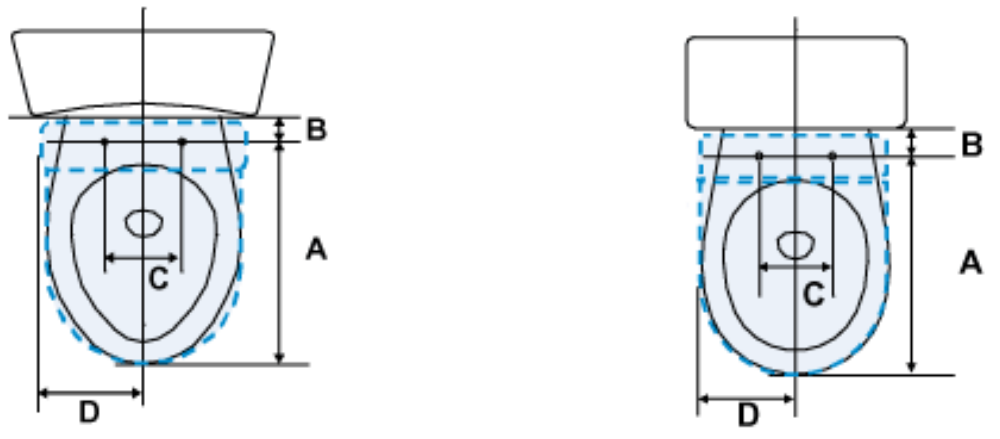
### What if my Toilet isn't a TOTO Toilet? Will the Washlet still fit?

On a standard Toilet with no curves between the seat and tank, all you need is 1-3/4 inches of room past the mounting bolts.

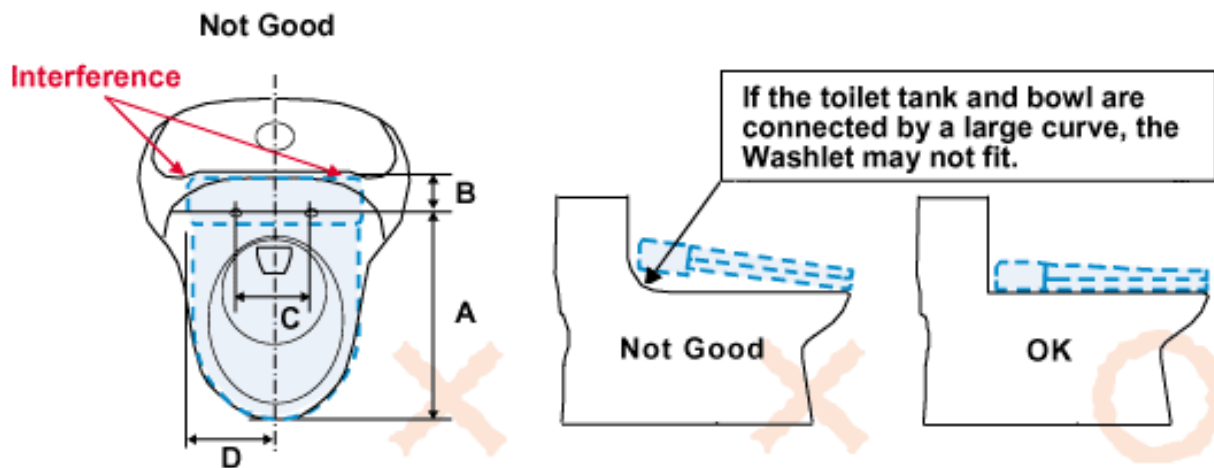




## Washlet S300 Fit Chart



**Note:** Some styles of toilets may not allow the Washlet S300 to be installed due to certain contours near the tank and bowl area (see figures below). In the figure on the left side below, dimension D does not allow for enough open space to accommodate the minimum width of 9 inches.



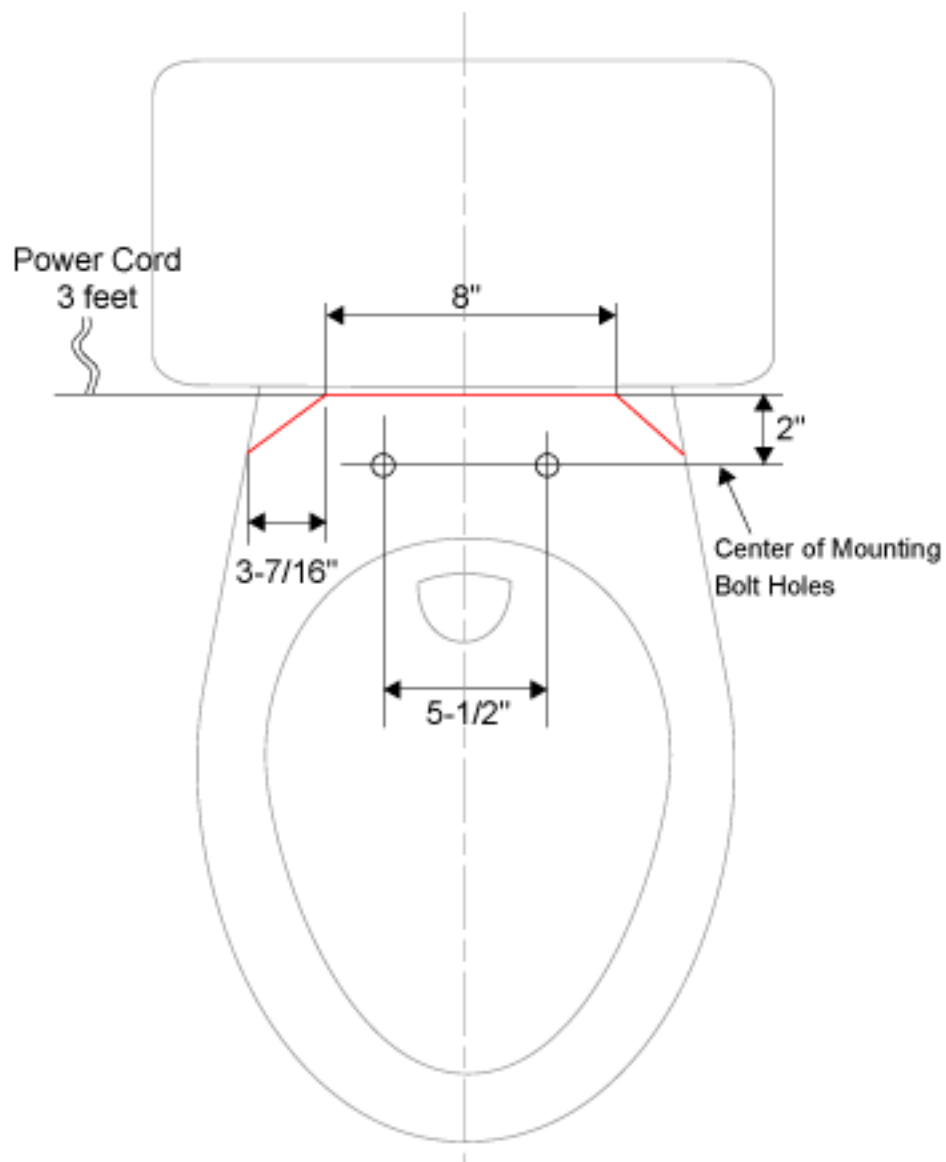
Dimensions	Dimension Requirements
A	Elongated - Approximately 18-1/2 inches (470 mm) Round - Approximately 16-1/2 inches (420 mm)
B	Minimum of 1-1/2 (38 mm) from front most face of tank to seat holes
C	Approximately 5-1/2 inches (140 mm)
D	Minimum 9 inches (210 mm) of open space from center of Washlet S300 (or toilet to edge of Washlet S300 and flat bowl surface.



## Washlet E200 Fit Chart

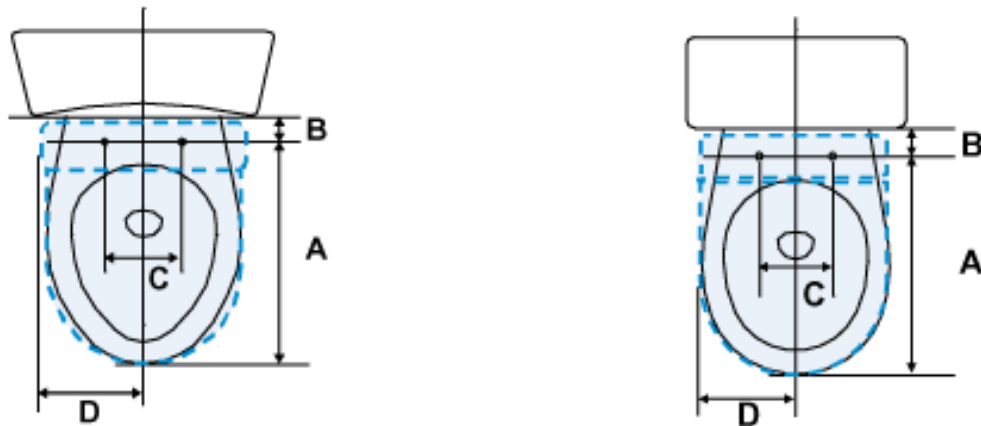
### What if my Toilet isn't a TOTO Toilet? Will the Washlet still fit?

On a standard Toilet with no curves between the seat and tank, all you need is two inches of room past the mounting bolts.

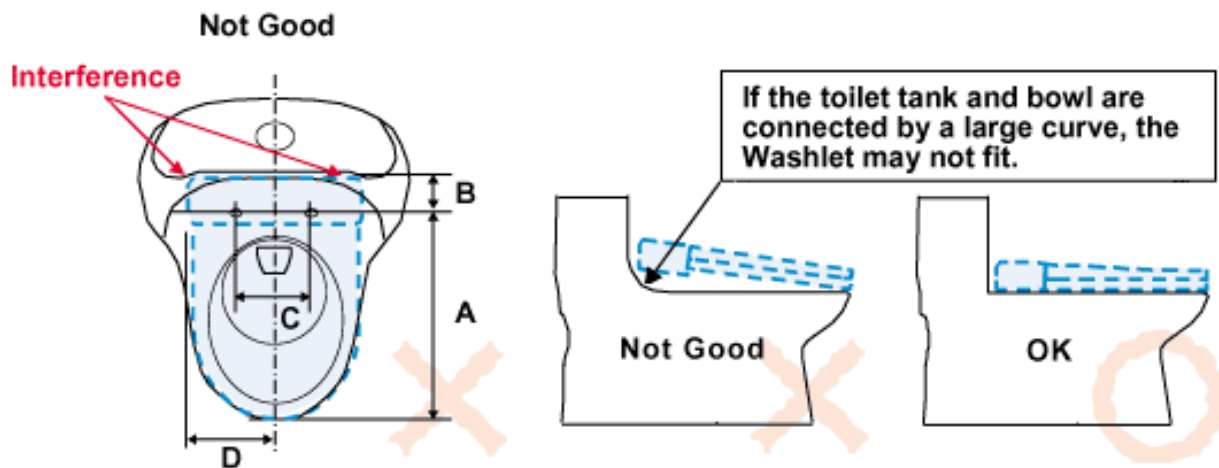




## Washlet E200 Fit Chart



**Note:** Some styles of toilets may not allow the Washlet E200 to be installed due to certain contours near the tank and bowl area (see figures below). In the figure on the left side below, dimension D does not allow for enough open space to accommodate the minimum width of 9 inches.



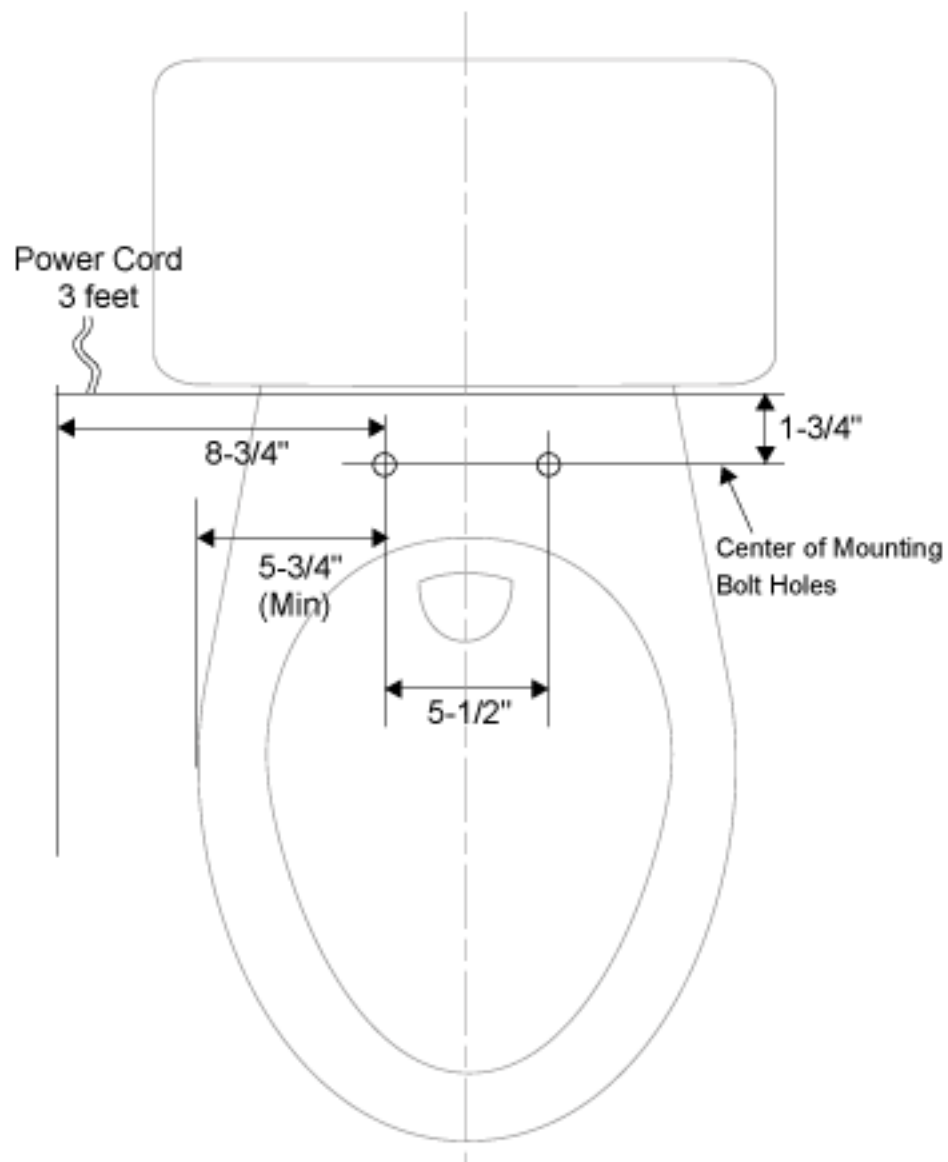
Dimensions	Dimension Requirements
A	Elongated - Approximately 18-3/4 inches (477 mm) Round - Approximately 17-1/2 inches (445 mm)
B	Minimum of 2 (51 mm) from front most face of tank to seat holes
C	Approximately 5-1/2 inches (140 mm)
D	Minimum 9 inches (210 mm) of open space from center of Washlet S300 (or toilet to edge of Washlet E200 and flat bowl surface.



## Washlet C100 Fit Chart

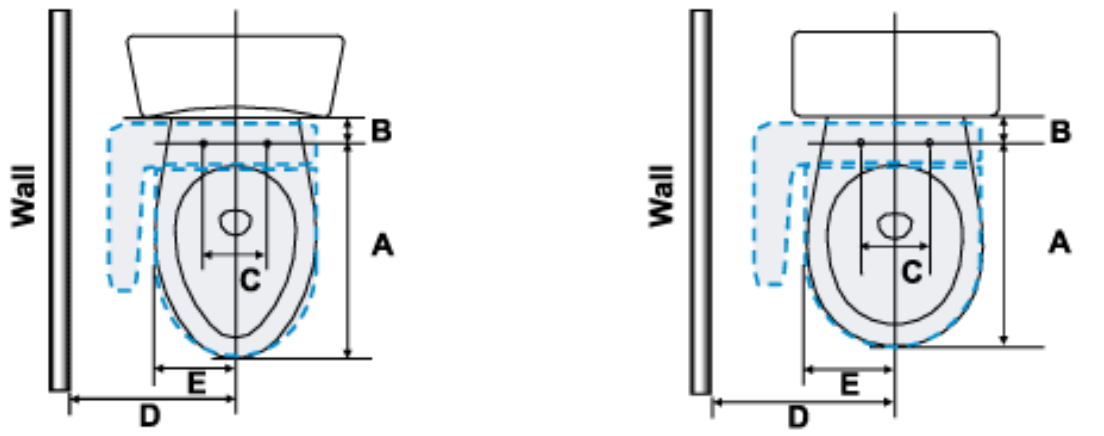
### What if my Toilet isn't a TOTO Toilet? Will the Washlet still fit?

On a standard Toilet with no curves between the seat and tank, all you need is 1-3/4 inches of room past the mounting bolts.

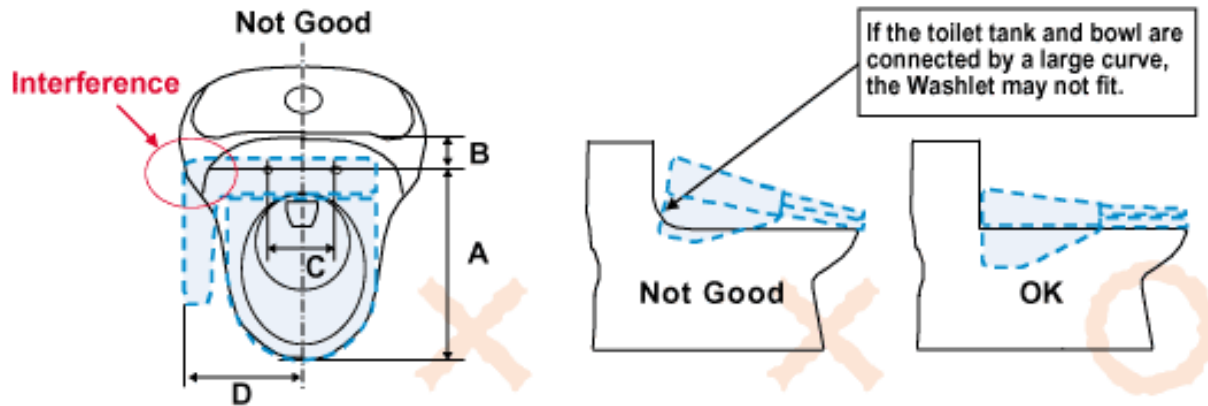




## Washlet C100 Fit Chart



**Note:** Some styles of toilets may not allow the Washlet C100 to be installed due to certain contours near the tank and bowl area (see figures below). In the figure on the left side below, dimension D does not allow for enough open space to accommodate the minimum width of 12-1/2 inches.



Dimensions	Dimension Requirements
A	Elongated - Approximately 18-1/2 inches (470 mm) Round - Approximately 16-1/2 inches (420 mm)
B	Minimum of 1-1/2 (38 mm) from front most face of tank to seat holes
C	Approximately 5-1/2 inches (140 mm)
D	Minimum 12-1/2 inches (318 mm) of open space from center of Washlet C100
E	Maximum 8-1/2 inches (216 mm) from center to edge of bowl and flat bowl surface